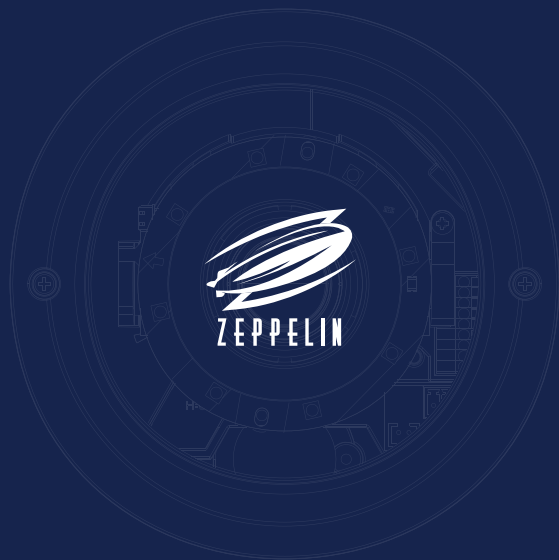




# XI SERIES

INSTALLATION GUIDE



[www.gozppelin.com](http://www.gozppelin.com)

# PLAY LIST

1

What's included

2

Tools you'll need

3

Know your X1

4

Do this first

5

Mount your camera

6

Safety

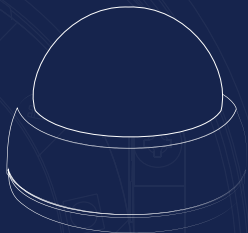
7

Limited warranty

8

Houston, we have a problem

# WHAT'S INCLUDED



## X1-8D

4k Indoor/Outdoor  
Dome Camera  
3X Motorized Zoom



Self-Tapping  
Screws (x2)



Plastic Screw  
Anchors (x2)



T10 Security Torx



Cable Gland



Quick Guide



4-Pin Power  
Terminal Block

# TOOLS YOU'LL NEED

## CONNECTION

24/7 broadband internet connection

Ethernet cable

Smart phone (iOS or Android) or computer  
(Mac or Windows)

## POWER

PoE switch or PoE injector that is IEEE 802.3af  
compatible

## MOUNTING

Tip size #2 Phillips screwdriver or bit (PH2)

Power drill

1/8" (3mm) drill bit for pilot holes

1/4" (6mm) drill bit for anchors

Optional: 5/8" (16mm) bit or hole cutter  
for the network cable

# KNOW YOUR XI

## RJ45 port

Connect an Ethernet cable to a PoE switch or PoE injector compatible with IEEE 802.3af.

## Conduit entry hole

There are two conduit entry holes for cable to go through, one on the side and the other at the bottom.

## Security Screws

The dome cover is securely attached to the camera with two security screws.

## Reset button

Press the Reset button with a proper tool and hold for 20 seconds to erase all data and restore factory defaults.

## Backup power connection

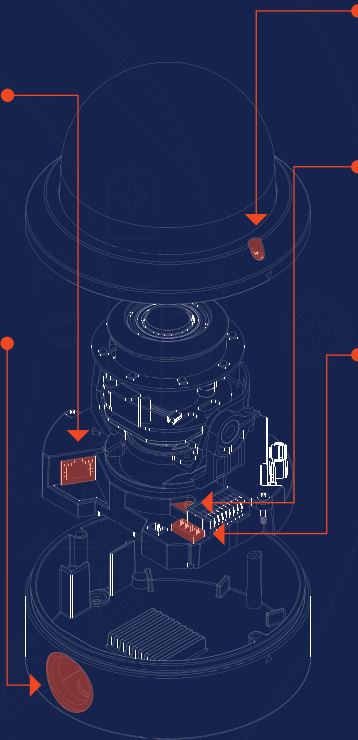
Pin 1 & 2 - AC 24V

Pin 3 & 4 - DC12V

Power input: AC24V, 0.5A / DC12V, 1A

## Advanced feature - Zero Downtime Power Switching

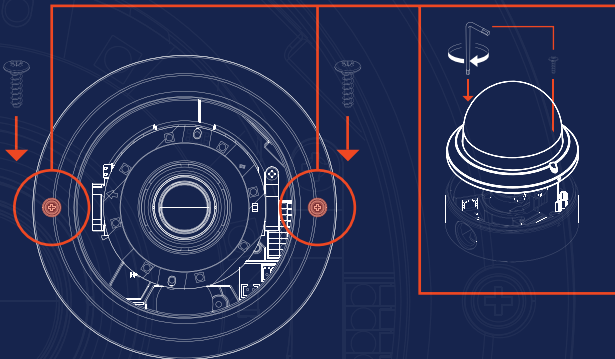
Camera's main power source is PoE or AC 24V. While camera is connected to the main power source, DC 12V works as a secondary power supply. If the main power source fails, the camera switches power input seamlessly to DC12V until the main power source is restored.





**DO THIS FIRST**

# POWER UP THE CAMERA

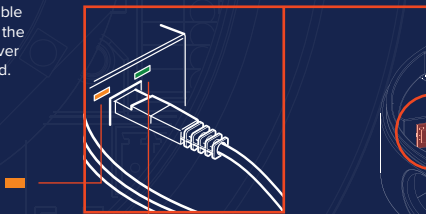


Loosen the two security screws indicated in the left figure with T10, the supplied security torx, and open the dome cover.

Plug in the Ethernet cable to the camera through the conduit entry hole. Cover the one that is not used.

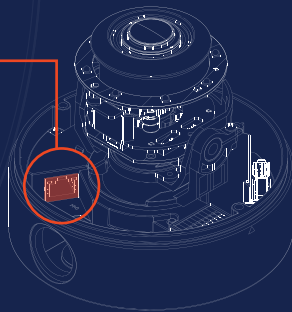
## Flashing orange LED:

Data is being transmitted or received.



## Green LED:

Camera is connected to a network.

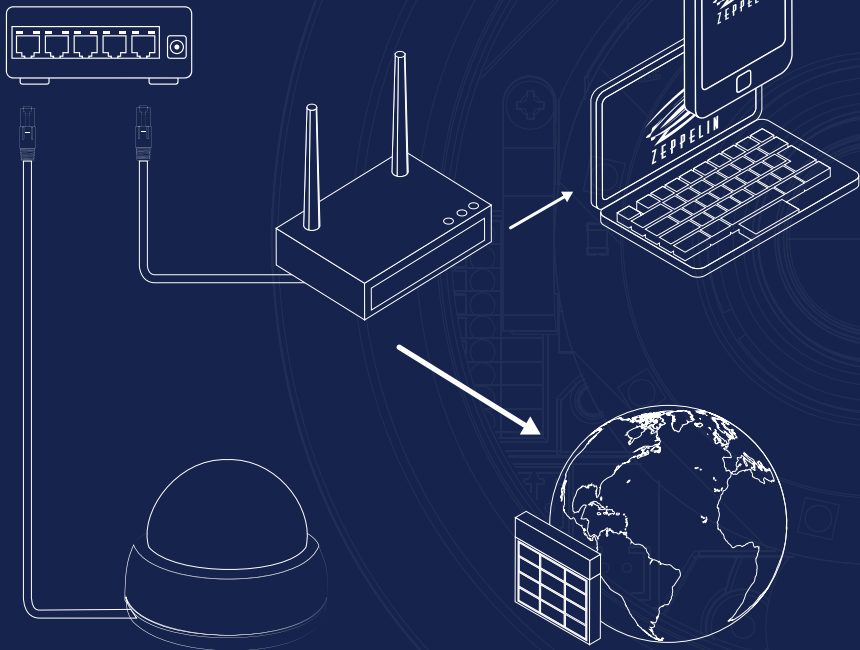




**A** Plug the other end of the Ethernet cable into a PoE switch or PoE injector.

**B** Connect the PoE switch or PoE injector to a router with access to the Internet.

**C** Prepare a mobile device or computer with access to the Internet for adding the camera.



# SIGN IN OR SIGN UP



## From Your Mobile Phone

Get the Zeppelin app from the App Store or Google Play. You can scan the QR code to download.



## From Your Computer

Open your browser and go to:  
<https://www.gozeppelin.com/login>  
Supported browsers: Chrome, Safari, Mozilla Firefox, Explore, and Opera



# ADD DEVICE



## From Your Mobile Phone

Choose "Add Device" and scan the QR code. The QR code can be found on the back of your device or on the product package.



## From Your Computer

Choose "Add Device" and enter the 13-digit UID (Unique Identifier) located on the back of the device or on the product package.



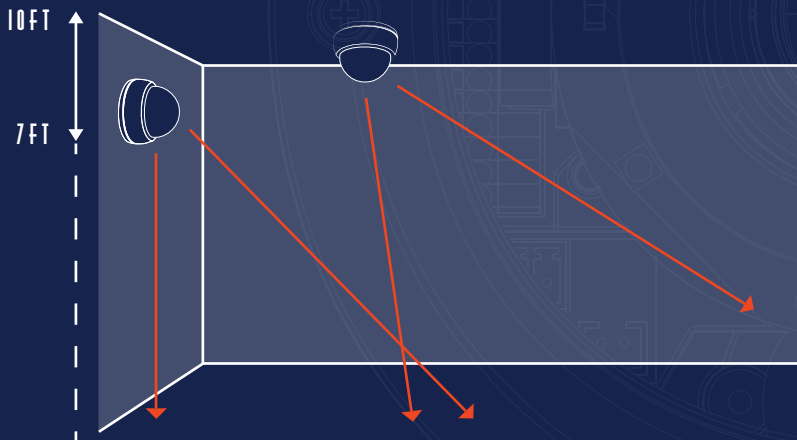
# LOOK FOR AN INSTALLATION SPOT

Mounting a camera requires a little bit of planning. It saves time to plan ahead before drilling holes in your wall.

X1, with IP66 and IK10 rating, is weatherproof and vandal proof. It can be installed indoor and outdoor, operating between  $-22^{\circ}\text{F}$  and  $131^{\circ}\text{F}$ . 7 to 10 feet above the ground, tilted downward, is best — this is high enough to let you see people's faces and wide enough to cover most areas with its field of view of  $115^{\circ}$ .

Avoid positioning the camera behind the glass and under the overhangs. They may reflect IR light into the camera and cause issues in the camera night vision.

Check the camera video in the Zeppelin app to make sure it covers what you want to see.



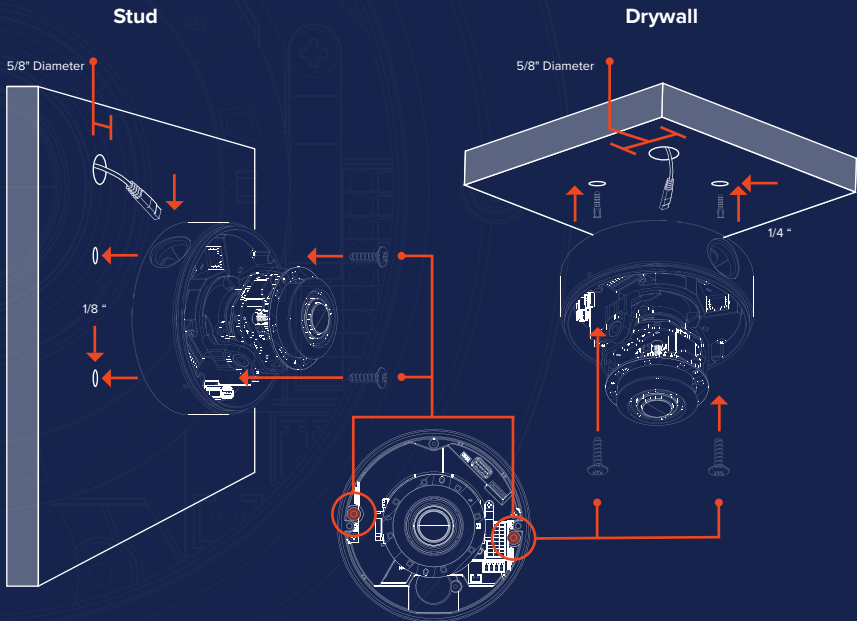


MOUNT YOUR CAMERA

# MOUNT THE CAMERA

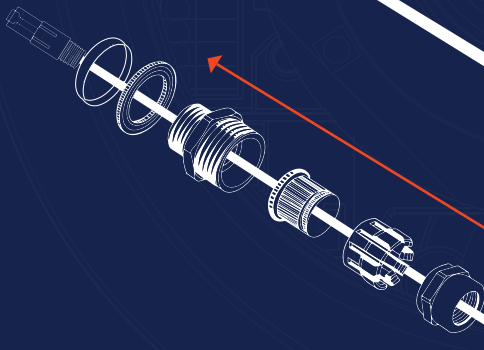
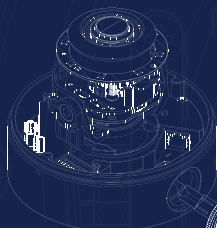
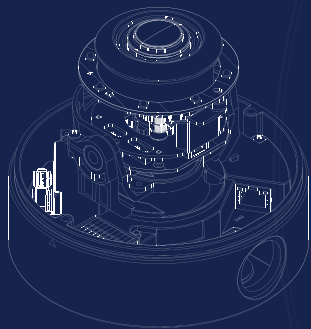
For studs, drill 1/8" pilot holes first. Drive self-tapping screws into the pilot holes.  
For drywall, drill 1/4" holes and insert the anchors. Drive self-tapping screws into the anchors.

**Optional:** You may need a 5/8" hole to feed the Ethernet cable through the wall or ceiling.



# INSERT THE ETHERNET CABLE

Take apart the cable gland. Thread the Ethernet cable through it. Attach the gland body to the conduit entry hole. Plug in the Ethernet cable to the RJ45 port. Reassemble and tighten the sealing nut snugly.



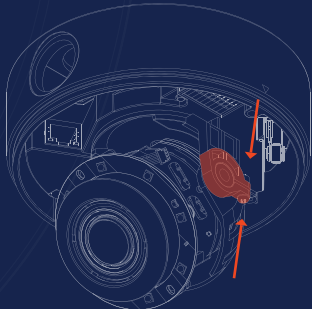
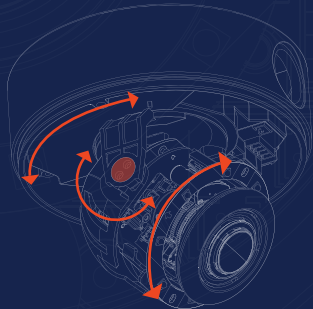
# POWER IT UP

Plug the Ethernet cable into a PoE switch or PoE injector. Connect the switch or injector to a router with Internet access.



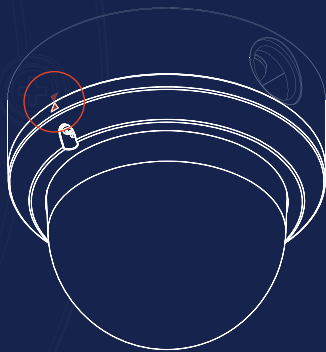
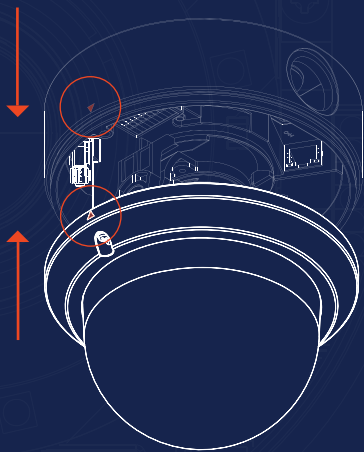
# ADJUST THE ANGLE

Pan and tilt the camera and check its video in the Zeppelin app to fine-tune the position. Fasten the tilt screw to fix the tilt angle.



# ADD A FINISHING TOUCH

Replace the dome cover, align the arrow marks, and secure it with the T10 security driver. Lastly, remove the protective cover.





# SAFETY

The product must be installed and protected in a location that is not easily accessible, and is away from impacts or heavy vibration.

Do not install the product on an unstable mount or surface.

Do not disassemble the camera or perform maintenance task when power is connected.

The product should be used in compliance with local laws and regulations.

Before installation, the product should be stored in a dry and ventilated environment.

Use only accessories that comply with the technical specifications of the product.

Power over Ethernet (PoE) shall be provided by listed Information Technology Equipment meeting IEEE 802.3af PoE standards. If an external power supply is used, to ensure compliance with electrical safety standards, CSA Certified/UL Listed LPS or Class 2 power adaptors are required.



This device complies with Part 15 of the FCC Rules. Operation is subject to the following two conditions: (1) this device may not cause harmful interference, and (2) this device must accept any interference received, including interference that may cause undesired operation.

# LIMITED WARRANTY

## 1. WHAT IS COVERED

Zeppelin Worldwide LLC, ("Zeppelin"), 12226 134th Ct NE, Redmond, WA 98052, warrants this product to be free from defects in workmanship and materials, under normal use and conditions, for a period of two (2) years from the original invoice date. Zeppelin agrees, at its option during the warranty period, to repair a defect in material or workmanship or to furnish a repaired or refurbished product of equal value in exchange without charge (except for a fee for shipping, handling, packing, return postage, and insurance which will be incurred by the customer). Such repair or replacement is subject to verification of the defect or malfunction and proof of purchase as confirmed by showing the model number on original dated sales receipt.

## 2. 30-DAY RETURN POLICY

Items purchased from the Zeppelin online store can be returned in new and unused condition with all accessories and original packaging within thirty (30) days of purchase for a full refund.

## 3. WARRANTY LIMITATIONS

This warranty does not include:

- Any condition resulting from other than ordinary wear or any use for which the product was not intended
- Damage resulting from misuse, abuse, negligence, use in violations of instructions, or repair by unauthorized third party
- Damage resulting from acts of God, including but not limited to lightning, flood, tornado, earthquake, or hurricane
- Normal wear and tear
- Dissatisfaction due to buyer's remorse
- Damages incurred during transportation

## 4. LIMITATION OF DAMAGES

In addition to the above warranty limitations, Zeppelin is not liable for any consequential, incidental, exemplary, or special damages, including any damages for lost data or lost profits arising from or relating to this Limited Warranty or the product.

## 5. YOUR RIGHTS

You may have other legal rights which vary from state to state. Some of the warranty limitations may not apply in certain states. The above limitation will apply to the extent of permitted by applicable law.

# HOUSTON! WE HAVE A PROBLEM

No worries. We are here for you.

## CONTACT US AT



[support@gozeppelin.com](mailto:support@gozeppelin.com)

## OR VISIT



[gozeppelin.com/support](http://gozeppelin.com/support)



**ZEPPELIN** | [www.gozeppelin.com](http://www.gozeppelin.com)





# XI

## SERIES

### INSTALLATION GUIDE



[www.gozepelin.com](http://www.gozepelin.com)